

CERTIFICATE OF LOCATION OF GOVERNMENT CORNER

East Quarter Corner of Section 6, Township 107, Range 43, 5th P.M.

STATE OF MINNESOTA, County of Murray

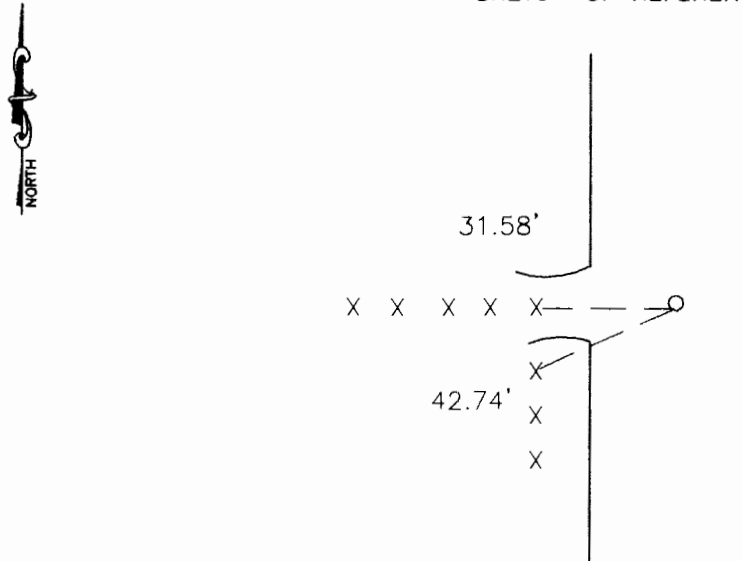
At the corner location shown on the sketch:

On 11-14-01 found a Stone 8"x2" 20" long 3' down
DATE

left monument as found, lowered monument, removed monument (explain)

On 11-14-01 placed a Iron pipe at road surface
DATE

SKETCH OF REFERENCE TIES



Nail and seal in fence post 31.58' West

Nail and seal in fence post 42.74' Southwest

Statement of evidence relative to this corner location is on back of page.

I hereby certify that this document and the data contained herein was prepared by me or under my direct supervision.

Lyle C. Moseley 12-10-01
SIGNATURE DATE

Registration No. 11943

- Land Surveyor, Professional Engineer
- County Surveyor, County Engineer

OFFICE OF THE COUNTY RECORDER

County of DEC 27 2001

I hereby certify that this document was filed in the Co. Recorders office at _____ .M on the _____ day of _____ A.D. 19 _____

County Recorder _____

By _____, Deputy

DOCUMENT NO. _____

Statement of Evidence

J.W. Bishop did original surveying in September 1886.

On November 14, 01 Moseng Land Surveying and Klyde Crog dug with a backhoe. We found a white pointed stone 3' down. We placed iron around the stone and used 20' ties. We placed a 1" iron pipe at the road surface.